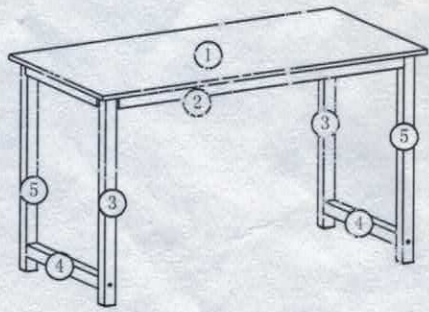


ASSEMBLY INSTRUCTION



②



1PC

③



2PCS

④



2PCS

①



1PC

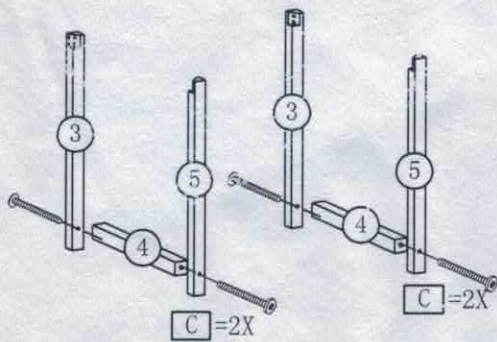
⑤



2PCS

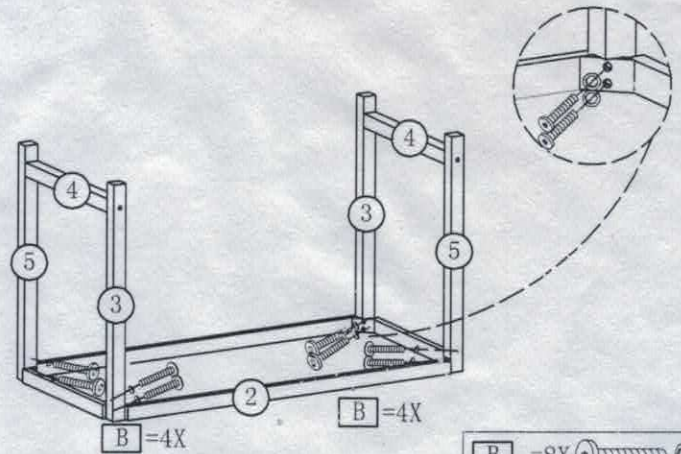
No.	PICTURE	SIZE	QTY	No.	PICTURE	SIZE	QTY
A		M6*60	4	D			4
B		M8*50	8			M6	1
C		M8*70	4			M8	1

STEP 1



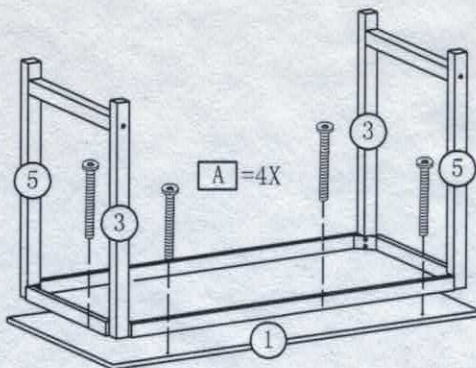
C = 4X

STEP 2



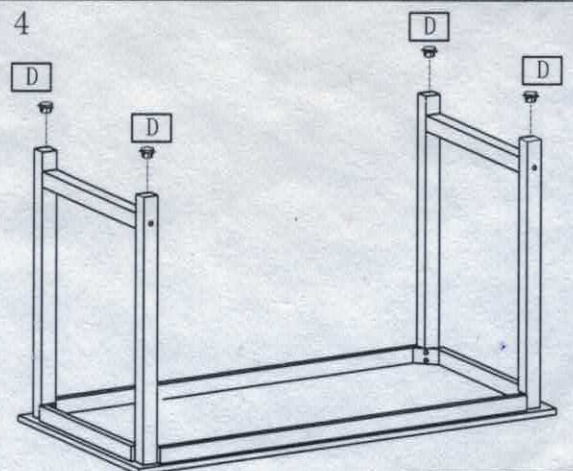
B = 8X

STEP 3



A = 4X

STEP 4



D = 4X